

VIART

C A M E R A

USER MANUAL



SAFETY INFORMATION

IMPORTANT PRODUCT INFORMATION

WARNING: Read the safety information before using your device. Failure to follow the safety instructions before operation may result in fire, electric shock, other injury or damage to the VirtCam and accessories.

CHILD SAFETY

The VirtCam has small parts including plastic and glass and may present a choking hazard. Electronic cables can present a strangulation hazard to children. Keep your device and its accessories out of reach of small children.

SAFETY INFORMATION

Your VirtCam is not water resistant and only suitable for indoor use. To avoid electric shock, do not expose the device or any accessories to water or other liquids. Do not use oils, lotions or other abrasive substances to clean or polish your device or accessories.

If your device or accessories get wet, switch off the power source and carefully unplug the device and cables while keeping your hands dry. Do not attempt to dry using an external heat source such as microwave or hair dryer.

Your device does not include any serviceable or repairable parts. Do not disassemble, modify or open the housing of the device as this could cause injury, or damage to the device, or void the limited warranty.

Keep your device out of direct sunlight, and handle with care. Do not drop the device, as this can cause damage.

WARRANTY PROVIDER

12-month Return to Base Warranty provided by:

Target Sports Ltd,
Elysian House,
Lovet Rd,
Harlow CM19 5TB
United Kingdom

Telephone - +44(0) 3300 587120

Email - info@target-darts.co.uk

PRODUCT SPECIFICATIONS

Device Name: Target Virt Camera

Model Number: 460008

Electrical Rating: 2A, 5V

Temperature Rating: 0-40oC

Wireless Features: 2.4 GHz, 5.0 GHz IEEE 802.11 b/g/n/ac wireless.

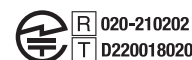
DartCounter App Host Phone/Tablet requires a power supply of 5A

WEEE STATEMENT

The symbol on the device and any accompanying documents showing a crossed-out wheelee bin signifies that the product should not be disposed as part of household waste. Disposing of this product correctly can save natural resources and prevent adverse effects on human health and the environment caused by improper handling of waste.

As a producer of Electrical and Electronic equipment (EEE), Target Sports Ltd is subject to Waste Electrical and Electronic (WEEE) regulations. Target Sports Ltd is obliged according to these regulations to offer customers a free return of their product on a like-for-like basis when buying a new piece of Electrical and Electronic equipment (EEE) from us. This is only valid within the European Union. For customers outside of the EU, please refer to the next section.

Pertinent to the Japanese Market



電波法により5GHz帯は屋内使用に限ります。

RESPONSIBLE DISPOSAL

Follow local environmental and transport regulations when moving or disposing of the device or accessories. Do not dispose of them in household waste, as this may cause injuries or damage. Do not crush, open, heat or incinerate the device or accessories.

ASSEMBLING YOUR VIRTICAM



1 x Cross-head Screwdriver
1 x Pencil
1 x Spirit Level
1 x Tape Measure
1 x Drill with 6mm drill bit (wall-mounted only)

PARTS LIST

- | | | | |
|----------|--|----------|-----------------------------|
| A | 1 x Virt Camera Unit | H | 1 x MOD Slider |
| B | 1 x Virt Camera Arm Front | I | 2 x MOD Cable Tidies I |
| C | 1 x Virt Camera Arm Back | J | 2 x Wall Plugs J (6x30mm) |
| D | 1 x Virt Camera Unit Screw D (M4x6mm) | K | 2 x Wall Screws K (M4x30mm) |
| E | 1 x MOD Slider Screw E | L | 1 x USB-C Cable (2.5m) |
| F | 1 x MOD Thumb Screw F (M5x8mm) | | |
| G | 1 x MOD Thumb Screw G (M5x12mm + Washer) | | |

Slot the **Virt Camera Unit** onto the thin end of the **Virt Camera Arm Front**.

Secure the parts together using the **Virt Camera Unit Screw D**. The screw should be tight enough that the USB-C slot is accessible, but not so tight that the **Virt Camera Unit** or **Virt Camera Arm Front** are damaged.

Using careful pressure, push the end of the Virt Camera Arm Front into the end of the Virt Camera Arm Back.

Plug the USB-C Cable into the USB-C slot, pressing the cable into the recesses in the Virt Camera Arm Front and Virt Camera Arm Back, with the end of the cable running through the opening in the side of the Virt Camera Arm Back.

FIXING TO YOUR MOD RAIL (supplied separately)

This is compatible with the 500mm and 350mm Mod Rails, but not the 250mm version.

Use the **Mod Slider Screw E** to secure the Mod Slider to the Virt Camera Arm Back.

Slot **Mod Thumb Screw G** into the front of the Mod Rail, followed by the Mod Slider. Finally, insert **Mod Thumb Screw F** into the side of the Mod Rail where the USB-C Cable is protruding.

Ensure that **Mod Thumb Screw G** is 2117mm from the floor and tighten both Thumb Screws around the Virt Camera Arm Back and Mod Slider. Use the two **MOD Cable Tidies I** to secure the USB-C Cable to the side of the mod rail.

FIXING TO YOUR WALL

Using a spirit level and tape measure, mark a + on the wall at a height of 2117mm, then another + 54mm above it. Measurements are taken from the centre of the + mark.

Using a drill, drive a drill bit of 6mm in diameter and 35mm length into the wall using the centre of the + marks as a guide. Ensuring that there is no debris in the holes, insert two **Wall Plugs J**.

Fasten the Virt Camera Arm Back to the wall using two **Wall Screws K**.

CONNECTING YOUR VIRTICAM TO YOUR DEVICE

Plug the USB-A cable into a 5V (2A or higher) power supply (not included). Plug the USB-C into the rear of the **TARGET VIRTICAM**.

Ensure that your Mobile/Tablet is connected to a WiFi network (30mbps or higher) in your device settings.

Install the DartCounter app from the **Play Store** or **App Store**, create an account and log in.

In the app, go to the menu and click **Smart Devices**, followed by the + button.

Select **TARGET VIRTICAM** and click **CONTINUE**.

Follow the instructions on screen and turn the **VIRTICAM ON**, press the button and wait until a white light shows.

Once you have followed the steps on screen you will receive the message **CONGRATULATIONS** and you will see camera streams. You have successfully configured your **TARGET VIRTICAM**.

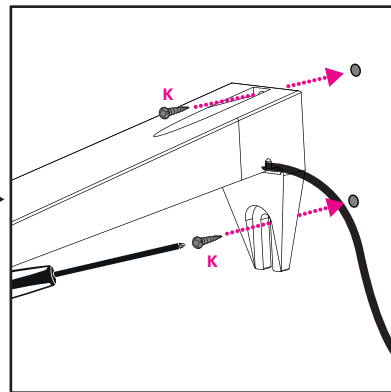
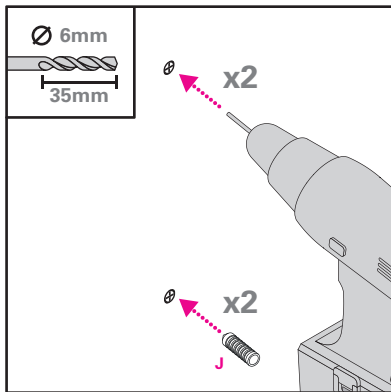
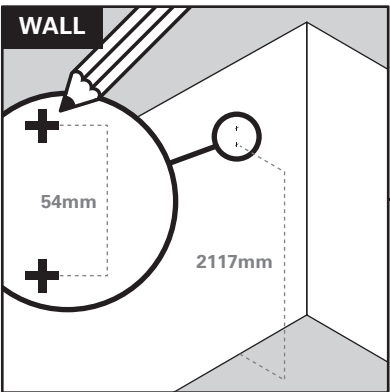
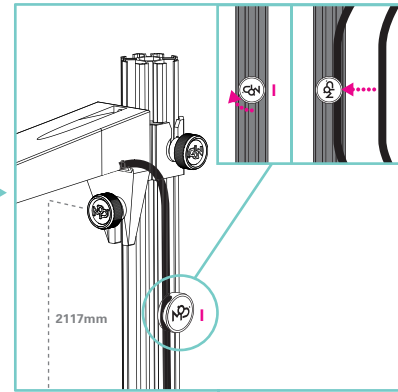
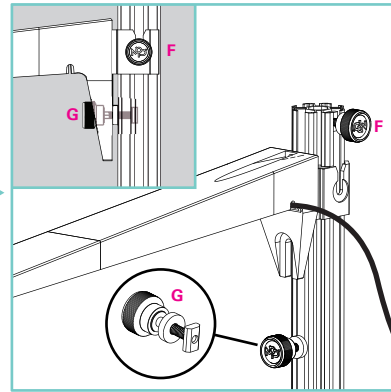
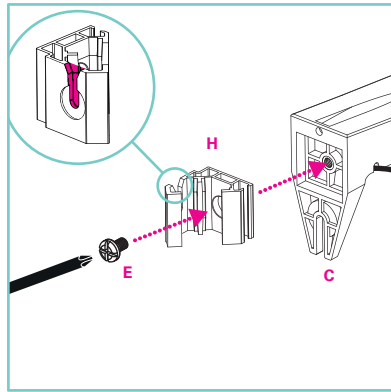
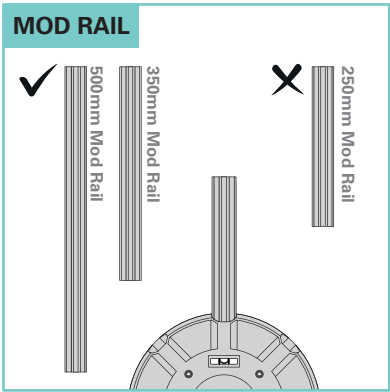
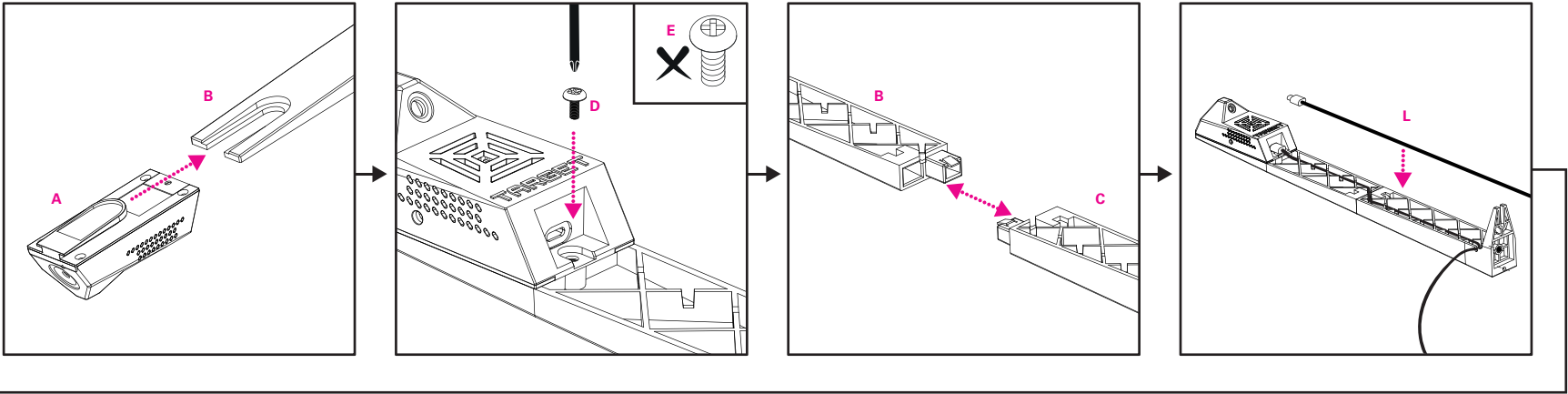
Your **TARGET VIRTICAM** should now be visible in your list of **Smart Devices** on the DartCounter app. It is now linked to your account and ready for online games.

If you need to check the camera operation and alignment, open the settings menu. Press **Smart Devices > VIRTICAM Settings** and you should be able to see both camera streams.

If you do not see your camera streams or have trouble connecting your **VIRTICAM** follow our trouble shooting guide using the below QR code.



VISUAL STEP-BY-STEP





UK Declaration of Conformity (DoC)

We:

| | |
|-------------------|----------------------------|
| Company name: | Target Sports LTD |
| Postal address: | Elysian House, Lovet Road, |
| City: | Essex |
| Postcode: | CM19 5TB |
| Telephone number: | +44(0) 3300 587120 |
| Email: | info@target-darts.co.uk |

declare that this DoC is issued under our sole responsibility and belongs to the following product:

| | |
|--------------------------|--------------------|
| Apparatus model/product: | Target Virt camera |
| Type: | 460008 |

Object of the declaration:

Identification of the apparatus:



The object of the declaration described above is in conformity with the relevant Designated Regulations:

| | |
|----------------------------------|--|
| Radio Equipment Regulations 2017 | The Restriction of the Use of Certain Hazardous Substances in Electrical and Electronic Equipment Regulations 2012 - EN 63000:2018 |
|----------------------------------|--|

The following Designated standards and technical specifications have been applied:

| | |
|-----------------------------|---|
| EN 300 328 V2.2.2 (2019-07) | Wideband transmission systems; Data transmission equipment operating in the 2,4 GHz I band; Harmonised Standard for access to radio spectrum. |
| IEC 62368-1:2018 | Audio/video, information, and communication technology equipment Part 1: Safety requirements |
| EN 55032:2015 + A11:2020 | Electromagnetic compatibility of multimedia equipment – Emission Requirements |
| EN 55035:2017 + A11:2020 | Electromagnetic compatibility of multimedia equipment – Immunity Requirements |

Signed for and on behalf of:

United Kingdom
Place of Issue

2024-03-06
Date of issue

Emily Heasman, Product Manager
Name, Function, Signature



EU Declaration of Conformity (DoC)

We:

| | |
|-------------------|----------------------------|
| Company name: | Target Sports LTD |
| Postal address: | Elysian House, Lovet Road, |
| City: | Essex |
| Postcode: | CM19 5TB |
| Telephone number: | +44(0) 3300 587120 |
| Email: | info@target-darts.co.uk |

declare that this DoC is issued under our sole responsibility and belongs to the following product:

| | |
|--------------------------|--------------------|
| Apparatus model/product: | Target Virt camera |
| Type: | 460008 |

Object of the declaration:

Identification of the apparatus:



The object of the declaration described above is in conformity with the relevant EU harmonised legislation:

| | |
|--|---|
| Radio equipment - Directive 2014/53/EU | Restriction of the Use of certain Hazardous Substances in Electrical and Electronic Equipment (RoHS) EN 63000:2018 - Directive 2011/65/EU |
|--|---|

The following harmonised standards and technical specifications have been applied:

| | |
|-----------------------------|---|
| EN 300 328 V2.2.2 (2019-07) | Wideband transmission systems; Data transmission equipment operating in the 2,4 GHz I band; Harmonised Standard for access to radio spectrum. |
| IEC 62368-1:2018 | Audio/video, information and communication technology equipment Part 1: Safety requirements |
| EN 55032:2015 + A11:2020 | Electromagnetic compatibility of multimedia equipment – Emission Requirements |
| EN 55035:2017 + A11:2020 | Electromagnetic compatibility of multimedia equipment – Immunity Requirements |

Signed for and on behalf of:

United Kingdom
Place of Issue

2024-03-06
Date of issue

Emily Heasman, Product Development
Name, Function, Signature



Declaration of Conformity (DoC)

| | |
|--|--------------------|
| Equipment: | IOT Dartboard |
| Trademark(s): | 18/471736 |
| Model(s): | Target Virt Camera |
| Manufacturer: | Target Sports Ltd |
| FCC ID in case other parts of this equipment are subject to certification: | 2ABCB-RPIRMO |

This device complies with Part 15 of the FCC Rules.

Operation is subject to the following two conditions:

- (1) this device may not cause harmful interference, and
- (2) this device must accept any interference received, including interference that may cause undesired operation.

The following test reports are subject to this declaration:

| | |
|---------------------|------------|
| Test report number: | B4574TR1 |
| Issue date: | 27/10/2023 |

| | |
|---------------|--|
| Company name: | Target Sports Ltd |
| Name: | Ekene Ofodile |
| Title: | Chief Operating Officer |
| Address: | 140 Linwood Street, Lynn, MA 01905 |
| Phone: | (781)346-6577 |
| Fax: | |
| Email: | Ekene.Ofodile@dartworld.com |
| Date: | 12.3.2024 |
| Signature: |  |

Customer Support Information

Telephone - +44(0) 3300 587120

Email - info@target-darts.co.uk

Product ID: 460008

Manufacturer: Target Darts
Target Sports Ltd,
Elysian House,
Lovet Road,
Harlow, Essex,
CM19 5TB, United Kingdom

Dart World US Address:

Dart World Inc.
140 Linwood Street,
Lynn MA 01905-1271

PSU Rating: 2A, 5V

For indoor use only

FCC ID: 2ABCB-RPIRMO

Website: <https://www.target-darts.co.uk/>



Designed and
made in UK